

TECHNICAL DATASHEET TURBOCAR

ACTIVE – G5



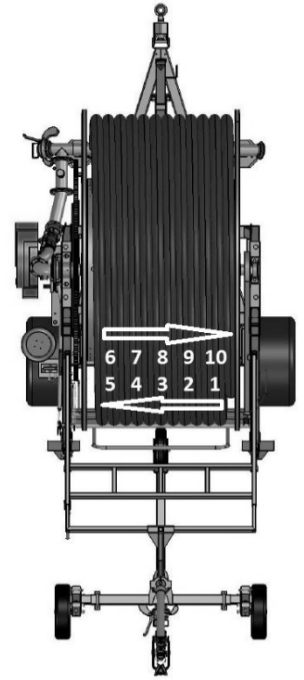
Illustrative purposes only; the model shown here could be different that one supplied

STANDARD EQUIPMENT

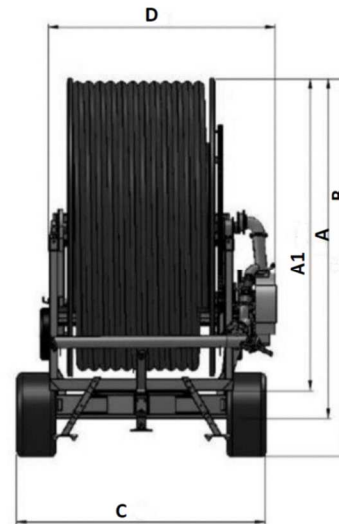
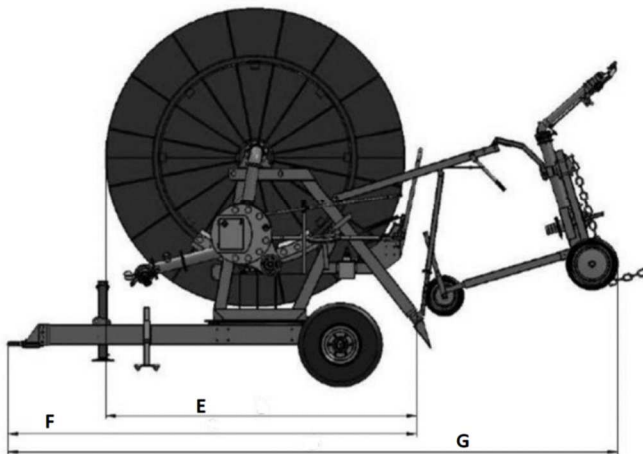
- High efficiency partial flow turbine drive directly coupled to the gearbox (minimum pressure losses in its category)
- 4 speed gearbox with oil lubrication
- Safety devices for PTO and rewinding out of the drum
- Moving transmission through toothed crown, which is placed close to the maximum stress point on the drum and not pushing against the hose reel borders
- Leadscrew driven hose layering guide
- By-pass “double action” for automatic speed control
- Glycerine filled pressure gauge
- Digital hour meters
- Huge diameter 360° turntable
- Exclusive “safety lock” rotation system from trolley lift which blocks the automatic rotation in case of emergency and allows a single operator to turn the machine safely and with minimum effort
- Trolley lift and stacker legs driven by hydraulic pistons incorporated inside the structure
- Additional stacker legs on the tow-bar
- Hot galvanised steel lower frame, upper frame, pipework with double water inlet and components
- 3 wheels hot galvanised sprinkler trolley with adjustable track, height and legs
- Accident prevention protections according to CE standard
- Sprinkler with set of nozzles
- High resistant medium density PE hose with differentiated thickness
- Instructions and maintenance handbook
- CE Certificate
- Warranty certificate

Available Models

Structure	Model	Type	Hose ending	P.E. hose Ø (mm)	Hose length L (m)	Sprinkler
G5D	100 G 500	C	2	100	500	REFLEX / TWIN 140
	100 G 550	C	5	100	550	REFLEX / TWIN 140
	110 G 400	B	9	110	400	REFLEX / TWIN 140
	110 G 420	B	10	110	420	REFLEX / TWIN 140
	110 G 450	A	4	110	450	REFLEX / TWIN 140
	110 G 470	A	5	110	470	REFLEX / TWIN 140
	110 G 500	D	4	110	500	REFLEX / TWIN 140
	110 G 540	H	5	110	540	REFLEX / TWIN 140
	120 G 440	L	10	120	440	EXPLORER / TWIN 140
	125 G 300	F	3	125	300	EXPLORER / TWIN 160
	125 G 340	F	5	125	340	EXPLORER / TWIN 160
	125 G 380	L	8	125	380	EXPLORER / TWIN 160
	125 G 400	L	9	125	400	EXPLORER / TWIN 160
	140 G 280	M	3	140	280	EXPLORER / TWIN 160
	140 G 300	M	4	140	300	EXPLORER / TWIN 160



Weight and overall dimensions



STR.	TYPE	WHEELS	A1	A	B	C	D	E	F	G	KG
G5	A	10.0/75.15.3-6F	2840	3120	3460	2420	2220	2990	4080	6000	3150 ÷ 4400
	A	11.5/80.15.3-6F	2840	3120	3500	2450	2220	2990	4080	6000	
	A	13.0/55.16-6F	2840	3120	3470	2500	2220	2990	4080	6000	
	A	400/60.15.3-6F	2840	3120	3500	2530	2220	2990	4080	6000	
	B	10.0/75.15.3-6F	2840	3120	3460	2420	2220	2990	4080	6000	
	B	11.5/80.15.3-6F	2840	3120	3500	2450	2220	2990	4080	6000	
	B	13.0/55.16-6F	2840	3120	3470	2500	2220	2990	4080	6000	
	B	400/60.15.3-6F	2840	3120	3500	2530	2220	2990	4080	6000	
	C	10.0/75.15.3-6F	2870	3150	3490	2420	2220	3020	4080	6000	
	C	11.5/80.15.3-6F	2870	3150	3530	2450	2220	3020	4080	6000	
	C	13.0/55.16-6F	2870	3150	3500	2500	2220	3020	4080	6000	
	C	400/60.15.3-6F	2870	3150	3530	2530	2220	3020	4080	6000	
	D	10.0/75.15.3-6F	3090	3370	3710	2420	2220	3060	4090	6000	
	D	11.5/80.15.3-6F	3090	3370	3750	2450	2220	3060	4090	6000	
	D	13.0/55.16-6F	3090	3370	3720	2500	2220	3060	4090	6000	
	D	400/60.15.3-6F	3090	3370	3750	2530	2220	3060	4090	6000	
	E	10.0/75.15.3-6F	3090	3370	3710	2420	2220	3060	4090	6000	
	E	11.5/80.15.3-6F	3090	3370	3750	2450	2220	3060	4090	6000	
	E	13.0/55.16-6F	3090	3370	3720	2500	2220	3060	4090	6000	
	E	400/60.15.3-6F	3090	3370	3750	2530	2220	3060	4090	6000	

STR.	TYPE	WHEELS	A1	A	B	C	D	E	F	G	KG
G5	F	10.0/75.15.3-6F	3090	3370	3710	2420	2220	3060	4090	6000	3150 ÷ 4400
	F	11.5/80.15.3-6F	3090	3370	3750	2450	2220	3060	4090	6000	
	F	13.0/55.16-6F	3090	3370	3720	2500	2220	3060	4090	6000	
	F	400/60.15.3-6F	3090	3370	3750	2530	2220	3060	4090	6000	
	H	10.0/75.15.3-6F	3140	3420	3760	2420	2220	3110	4090	6000	
	H	11.5/80.15.3-6F	3140	3420	3800	2450	2220	3110	4090	6000	
	H	13.0/55.16-6F	3140	3420	3770	2500	2220	3110	4090	6000	
	H	400/60.15.3-6F	3140	3420	3800	2530	2220	3110	4090	6000	
	L	10.0/75.15.3-6F	3140	3420	3760	2420	2220	3110	4090	6000	
	L	11.5/80.15.3-6F	3140	3420	3800	2450	2220	3110	4090	6000	
	L	13.0/55.16-6F	3140	3420	3770	2500	2220	3110	4090	6000	
	L	400/60.15.3-6F	3140	3420	3800	2530	2220	3110	4090	6000	
	M	10.0/75.15.3-6F	3140	3420	3760	2420	2220	3110	4090	6000	
	M	11.5/80.15.3-6F	3140	3420	3800	2450	2220	3110	4090	6000	
	M	13.0/55.16-6F	3140	3420	3770	2500	2220	3110	4090	6000	
M	400/60.15.3-6F	3140	3420	3800	2530	2220	3110	4090	6000		

Technical Features

Ø hose (mm)	Ø nozzle (mm)	Machine pressure (atm)					Sprinkler press. (atm)	Throw (mt)	Irrigated width (mt)	Flow (l/min)	Irrigated area (ha)					Rainfall (mm)		
		500	550								500	550				10 m/h	30 m/h	50 m/h
100	26	6,2	6,6				3,0	42,0	71,4	732	3,59	3,93				58,1	19,4	11,6
		8,0	8,6				4,0	47,0	79,9	845	4,05	4,43				59,5	19,8	11,9
	28	9,1	9,8				4,0	51,0	86,7	980	4,41	4,83				63,3	21,1	12,7
		11,2	12,0				5,0	56,0	95,2	1095	4,88	5,33				64,0	21,3	12,8
	30	12,8	13,9				5,0	57,0	96,9	1260	4,97	5,43				72,2	24,1	14,4
		14,0	15,1				5,5	58,5	99,5	1320	5,11	5,58				73,6	24,5	14,7
110		420	450	470	500	540					420	450	470	500	540			
	28	5,4	5,5	5,7	5,9	6,2	3,0	44,0	74,8	848	3,20	3,42	3,56	3,77	4,06	63,4	21,1	12,7
		7,0	7,1	7,4	7,6	8,0	4,0	51,0	86,7	980	3,75	4,00	4,17	4,41	4,74	62,5	20,8	12,5
	30	7,7	7,9	8,2	8,5	9,1	4,0	52,0	88,4	1127	3,83	4,09	4,25	4,51	4,84	70,4	23,5	14,1
		9,4	9,7	10,1	10,4	11,1	5,0	57,0	96,9	1260	4,23	4,51	4,70	4,97	5,34	71,2	23,7	14,2
	32	10,4	10,7	11,3	11,6	12,5	5,0	58,0	98,6	1432	4,32	4,60	4,78	5,07	5,44	79,4	26,5	15,9
10,3		10,6	11,1	11,4	12,1	5,5	60,0	102,0	1330	4,48	4,77	4,96	5,25	5,64	71,1	23,7	14,2	
120		440									440							
	30	6,7					4,0	52,0	88,4	1127	4,00					48,1	16,0	9,6
		8,2					5,0	56,0	95,2	1260	4,34					49,7	16,6	9,9
	32	8,9					5,0	58,0	98,6	1432	4,50					54,4	18,1	10,9
		10,5					6,0	62,0	105,4	1570	4,84					55,4	18,5	11,1
	34	9,7					5,0	59,0	100,3	1618	4,59					60,3	20,1	12,1
11,4						6,0	64,0	108,8	1773	5,01					60,5	20,2	12,1	
125		300	340	380	400						300	340	380	400				
	32	5,9	6,1	6,4	6,5		4,0	54,0	91,8	1282	2,95	3,30	3,64	3,82		74,4	24,8	14,9
		7,2	7,4	7,8	7,9		5,0	58,0	98,6	1432	3,19	3,57	3,94	4,13		76,7	25,6	15,3
	36	8,1	8,5	9,0	9,2		5,0	61,0	103,7	1813	3,38	3,77	4,17	4,36		91,8	30,6	18,4
		9,6	10,0	10,6	10,8		6,0	66,0	112,2	1988	3,69	4,12	4,54	4,76		92,1	30,7	18,4
	38	8,7	9,1	9,7	10,0		5,0	63,0	107,1	2022	3,50	3,91	4,32	4,52		98,7	32,9	19,7
10,3		10,8	11,5	11,8		6,0	68,0	115,6	2215	3,82	4,26	4,70	4,92		99,2	33,1	19,8	
140		280	300								280	300						
	34	6,6	6,7				5,0	59,0	100,3	1618	3,06	3,25				82,6	27,5	16,5
		7,8	7,9				6,0	64,0	108,8	1773	3,36	3,57				82,5	27,5	16,5
	36	6,8	6,9				5,0	61,0	103,7	1813	3,18	3,38				89,1	29,7	17,8
		8,1	8,2				6,0	66,0	112,2	1988	3,48	3,69				89,3	29,8	17,9
	38	7,1	7,3				5,0	63,0	107,1	2022	3,30	3,50				95,7	31,9	19,1
8,4		8,6				6,0	68,0	115,6	2215	3,60	3,82				96,1	32,0	19,2	