

TECHNICAL DATASHEET TURBOPUMP

ICX 110 - ... / ...



Illustrative purposes only; the model shown here could be different that one supplied

STANDARD EQUIPMENT

Engine complete with manual accelerator and silencer:

Brand:	FPT – Fiat Powertrain Technologies
Model:	NEF 45 MSSX
Normative:	TIER III A
Nr. Cylinders:	4
Displacement:	4.500 cc
Suction:	Turbocharged
Cooling system:	Liquid
Continuous power @ 1750 rpm:	71 kW – 96 HP
Continuous power @ 2000 rpm:	73 kW – 99 HP
Maximum power @ 2200 rpm:	74 kW – 100 HP
Starting:	Electric starting
Incorporated fuel tank:	330 lt.

Engine protective panel model **EasyMOP**, complete with fuel level indicator, tachometer, hour meters, pressure gauge, pressostat, timer, starting key, luminous devices for detecting emergency signal; it stops engine in case of low oil pressure, engine overheating, belt breakage, water pressure fall.

Two tyres chassis painted RAL 5017 complete with incorporated fuel tank, 3 stacker legs, shaft with adjustable height, document holder and electric starting battery.

Elastic coupling between engine and pump.

Suction and delivery flanges on the pump.

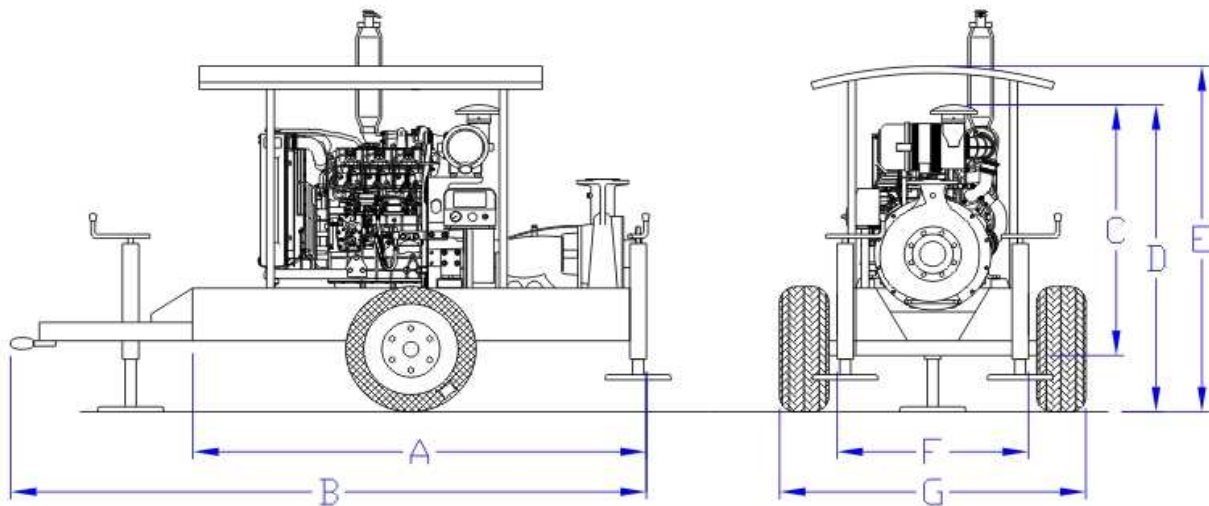
Caprari pump (see Models and Performances)

Models and Performances

Model	Rpm	Consump (l/h)	Pump	Nr. Impeller s	Suction	Delivery	Performances			Coupling	
							Cap. (l/min)	Head (mca)	Head (mca)		
ICX110-10/OR	2000	13,6	MEC A3/125B	1	DN150	DN125	Cap. (l/min)	4800	3600	3000	Horizontal
ICX110-10/FL			MEC AG3/125B				Head (mca)	61	65	66	Flanged
ICX110-20/OR	1750	13,1	MEC A5/100B	1	DN125	DN100	Cap. (l/min)	3300	2700	2100	Horizontal
ICX110-20/FL			MEC AG5/100B				Head (mca)	70	74	76	Flanged
ICX110-30/OR	2000	13,6	MEC MR100/2H	2	DN125	DN100	Cap. (l/min)	2700	2400	2160	Horizontal
ICX110-30/FL			MEC MG100/2H				Head (mca)	105	109	112	Flanged
ICX110-40/OR	2000	13,6	MEC MR80.4/3B	3	DN100	DN80	Cap. (l/min)	2400	1700	1200	Horizontal
ICX110-40/FL			MEC MG80.4/3B				Head (mca)	110	135	148	Flanged
ICX110-50/OR	1800	13,3	MEC MR80.4/3A	3	DN100	DN80	Cap. (l/min)	2200	1720	1230	Horizontal
ICX110-50/FL			MEC MG80.4/3A				Head (mca)	104	120	130	Flanged
ICX110-60/OR	2200	14,3	MEC MR80-1/3A	3	DN80	DN80	Cap. (l/min)	1600	1320	1080	Horizontal
			Head (mca)				152	164	170		
ICX110-70/FL	1750	13,1	MEC MG80.4/4A	4	DN80	DN80	Cap. (l/min)	1920	1680	1200	Flanged
			Head (mca)				143	153	165		

* Tolerance ISO 9906:2012 - 3B

Weight and overall dimensions



Fuel tank	A (mm)	B (mm)	C (mm)	D (mm)	E (mm)	F (mm)	G (mm)	Wheels	Dry weight (kg)
330 lt	2800	4150	1190	1490	1810	1000	1470	205/60.15 5F	
500 lt	2800	4150	1190	1520	1840	1200	1740	10.0/80-12 pr6 5F	
750 lt								10.0/80-12 pr6 5F	
1000 lt								10.0/80-12 pr6 5F	